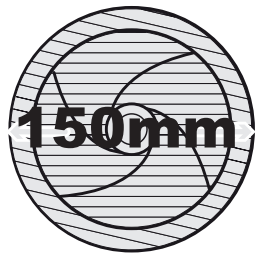


INSTRUCTION MANUAL



RECHARGEABLE FAN

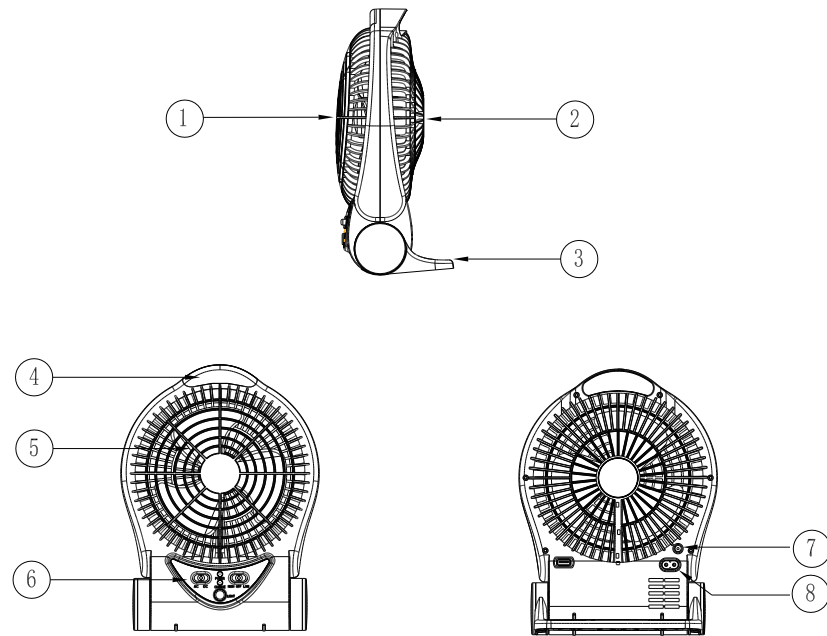
RECHARGEABLE FAN WITH
SUPER BRIGHT LED LIGHT

Product Code: GCL-F06R-D



Please read these instructions before first use:

- ① Front body
- ② Rear body
- ③ Stand
- ④ LED light
- ⑤ Blade
- ⑥ Power button
- ⑦ DC socket
- ⑧ AC socket



ATTENTION

1. Please read these instructions carefully before using the fan.
2. Before charging the fan, please ensure that the voltage indicated on the appliance corresponds with the outlet voltage.
3. Charge the fan when the light and fan goes weak.
4. Charge battery at least every three months to maintain maximum battery life.
5. Turn off the fan when not in use.
6. Do not operate above 90% humidity.
7. Do not operate below -5°C and above 40°C.
8. Avoid using near water.

HOW TO CHARGE THE FAN

1. Make sure the voltage of the mains power supply matches the voltage rating for the appliance.
2. Plug the power cord into the AC socket, place the switch to AC position, the fan will charge.
3. The fan can be charged by using the car plug by inserting the car plug into the DC socket.
4. The red indicator light is on when charging.
5. Charge time varies between 15 and 24 hours.
6. It is a normal to feel a small amount of heat as the battery is charging.

HOW TO USE (Refer to Figure 1)

1. The fan has both AC and DC modes. When plugging into 240V AC power, than fan operates in AC mode. When there is no AC power, position the selector to the DC position and the fan will operate from the internal battery. When using 12V DC power, select the DC position and high or low setting. Plug in the cable to the back. The unit will stop. Move selector back and forth a few times. The fan will start. *You will need to move the selector several times due to the systems voltage sensor.
2. There are two fan speeds, select by low/high selector, see Figure 1.
3. To turn on or off the LED light, press the "Light" selector.
4. "Power" light indicates when the light or fan is on and the "charge" light indicates when the battery is charging.
5. The base stand is adjustable with five positions to choose from, see Figure 2 .

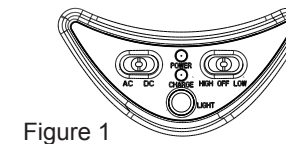


Figure 1

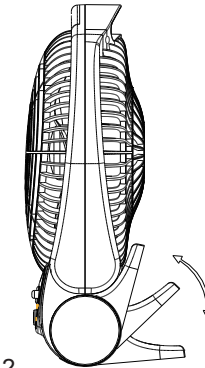


Figure 2

SPECIFICATION

1. Blade : 150mm
2. LED: 4pcs 1500MCD
3. Battery: 6V 2.3Ah lead acid battery
4. Charge time: 20-24 hours
5. Working time: 5 hours (high speed)
7 hours (low speed)
60 hours (LED)
6. Max power: 11W
7. Product size: 210x96x282mm

WARNING :



1. Please recycle correctly after life of fan. Battery is harmful to the environment.
2. If the power cord is damaged, only a qualified electrician can repair or service this fan.
3. This fan is not intended for use by persons (including children) with reduced physical, sensory or mental capabilities, or lack of experience and knowledge unless they have been given supervision or instruction concerning the use of the fan by a person responsible for their safety.
4. Children should be supervised to ensure that they do not touch the fan.